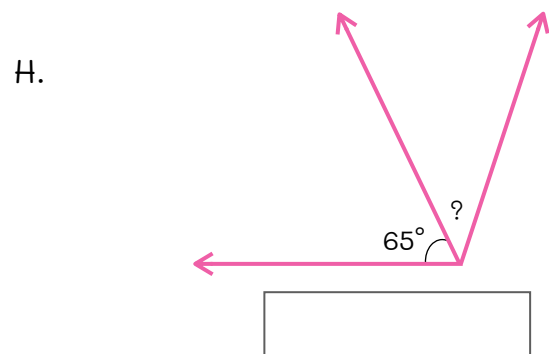
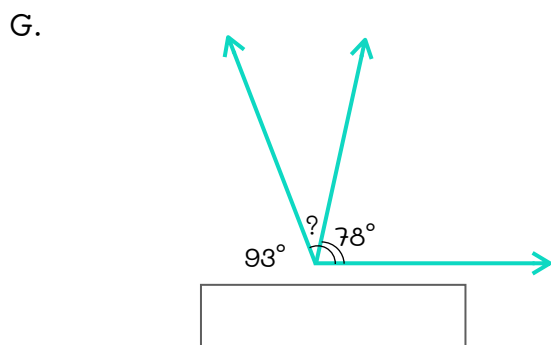
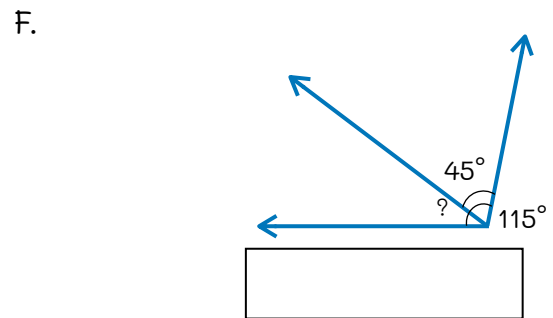
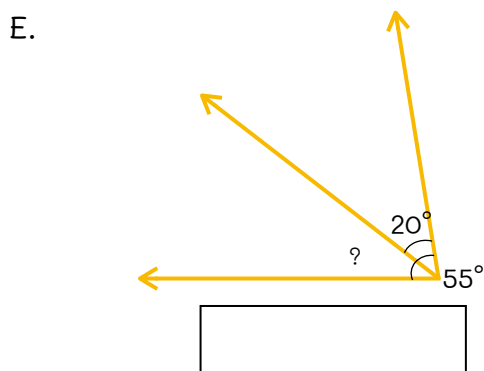
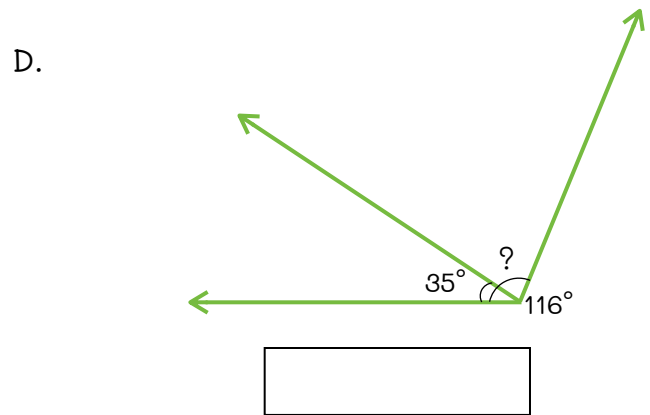
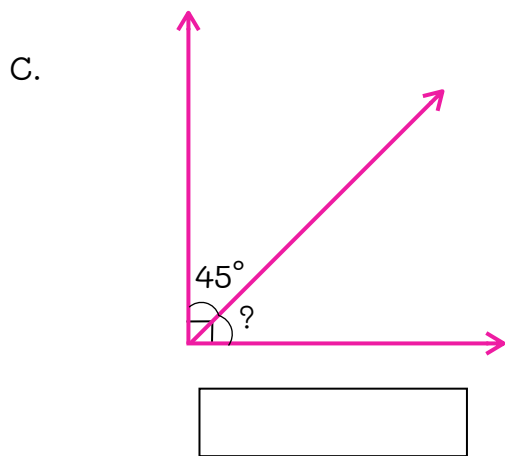
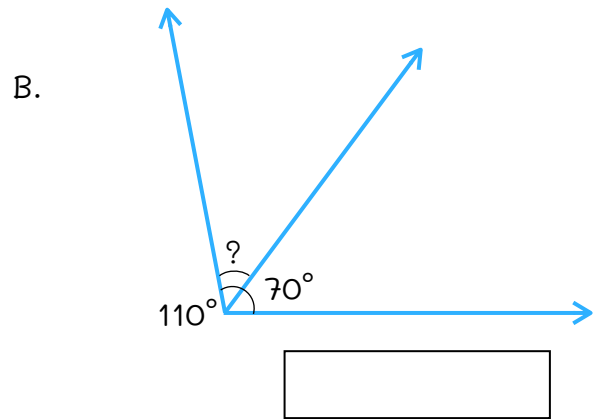
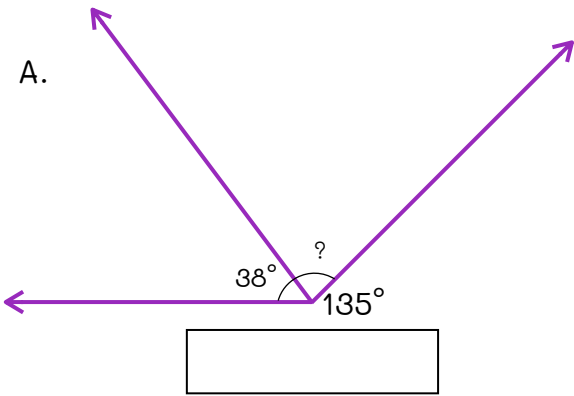


Name: \_\_\_\_\_

Date: \_\_\_\_\_

# Geometry

Find the missing angle.



Name: \_\_\_\_\_

Date: \_\_\_\_\_

# Geometry

## ANSWER KEY

